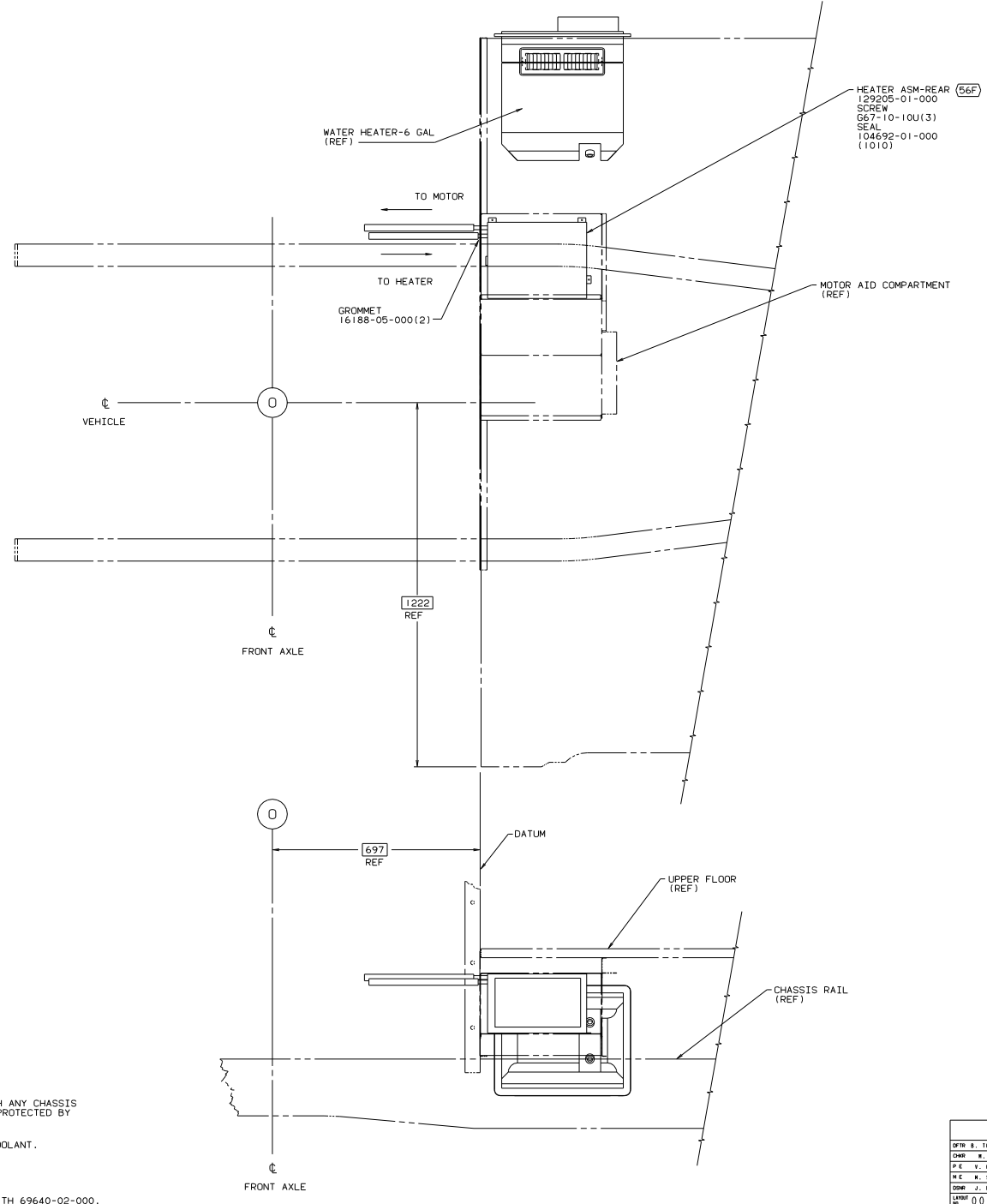


DWG NO	SHEET
132720-01	1
132720-02	2
132720-03	3
132720-04	4

- (53F) (56F)
- (1B2) (56F)
- (1B2) (56B)
- (611)

REV	DATE	BY	CHK	DESCRIPTION
B	3/12/99	WJL	WJL	DRAWING CORRECTIONS FROM PHOTO
C	3/12/99	WJL	WJL	ADD TAB -03, SHT 3
D	05/17/99	WJL	WJL	ADD REGISTER 9460-05 SHT 1 & 2
E	07/20/99	WJL	WJL	ADD SEAL AND GROMMET CALLOUTS
F	08/10/99	WJL	WJL	UPDATE HOSE CALLOUTS
G	11-11-99	WJL	WJL	ADD NOTE 411
H	11-11-99	WJL	WJL	DATA 16188 WAS 13188
J	11/18/99	WJL	WJL	DELETE FEATURE NOTE ON REGISTER
K	7-24-00	WJL	WJL	ADD 9460-05
L	01-31-01	WJL	WJL	DATA 6002
M	05/04/01	WJL	WJL	UPDATE REGISTER CALLOUTS
N	07/23/01	WJL	WJL	DELETE REGISTER CALLOUTS
P	08-22-01	WJL	WJL	ADD 84313-01
R	03-21-03	WJL	WJL	ADD NOTE 5

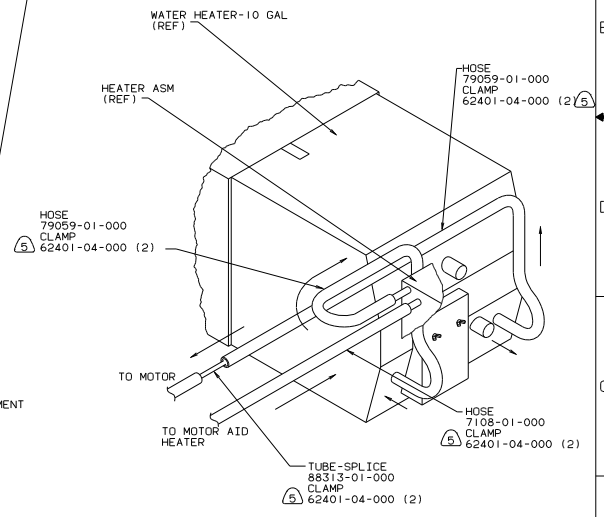
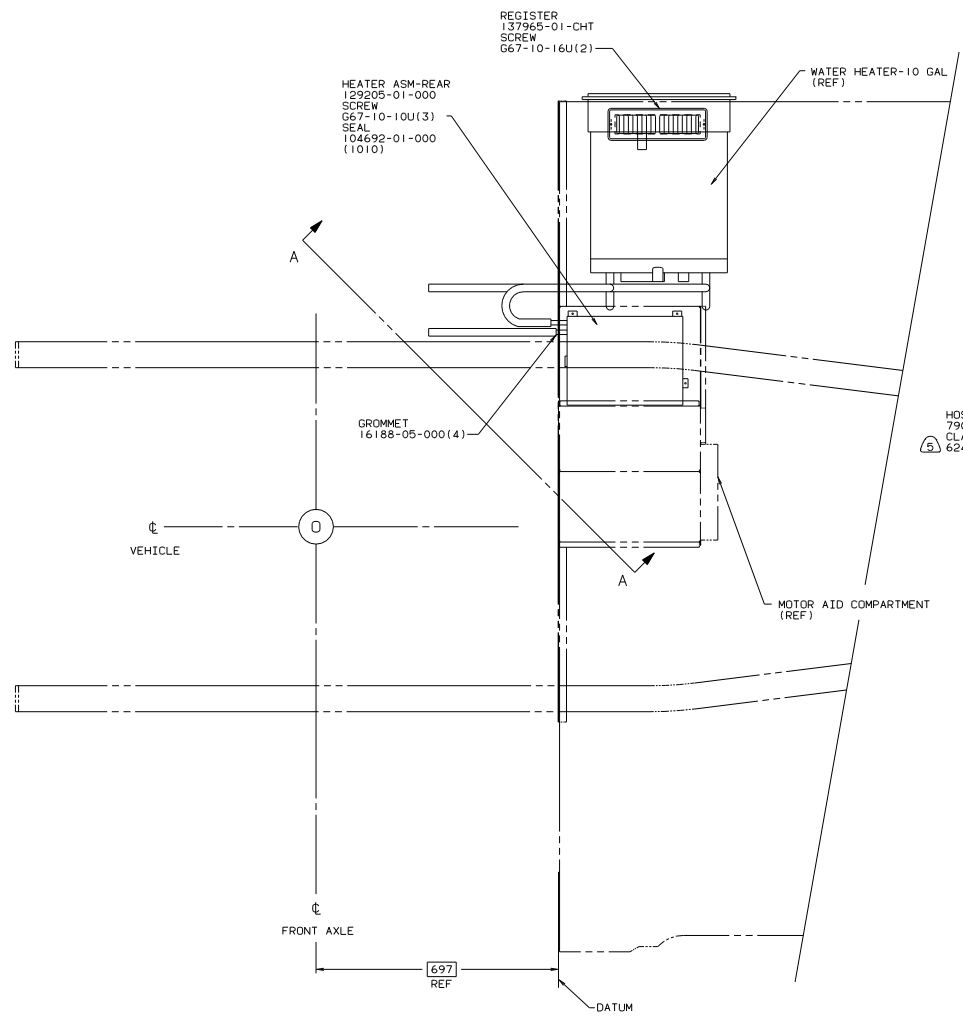
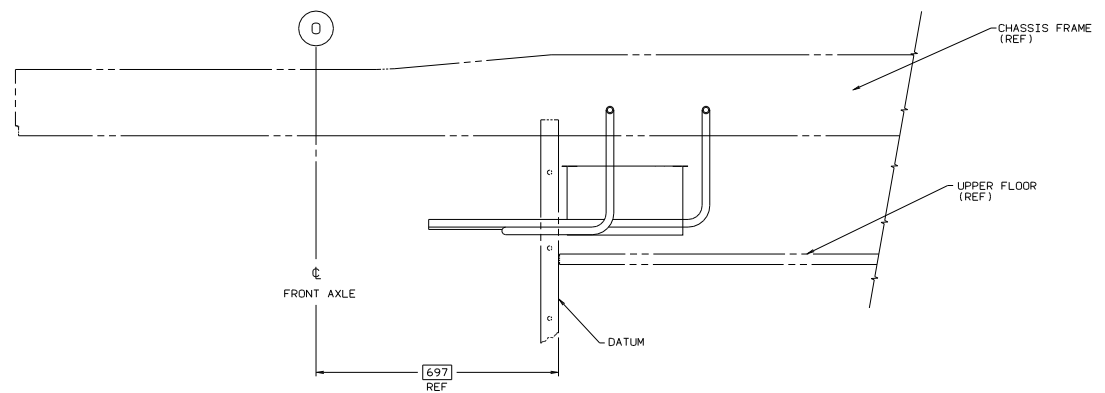


- (611) WTR HTR-RR AUTO/MOTORAID
- (56F) HEATER-AUXILIARY AUTOMOTIVE
- (56B) HEATER-AUXILIARY AUTO W/O
- (53F) WATER HEATER-ELEC. IGNITION
- (1B2) WTR HTR-10GAL/ELEC/LP/MTR/AID

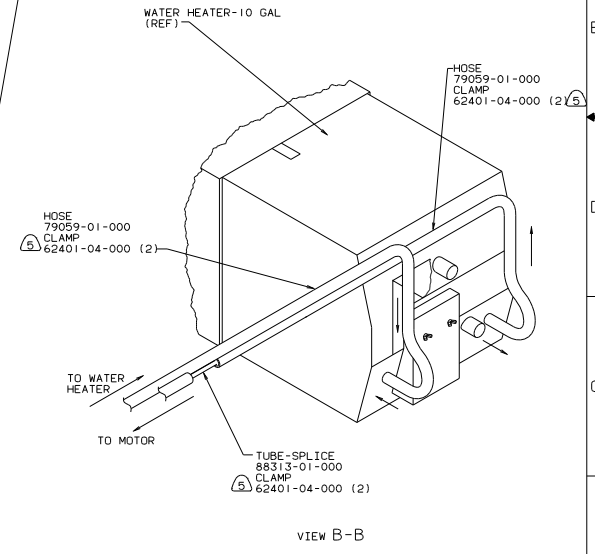
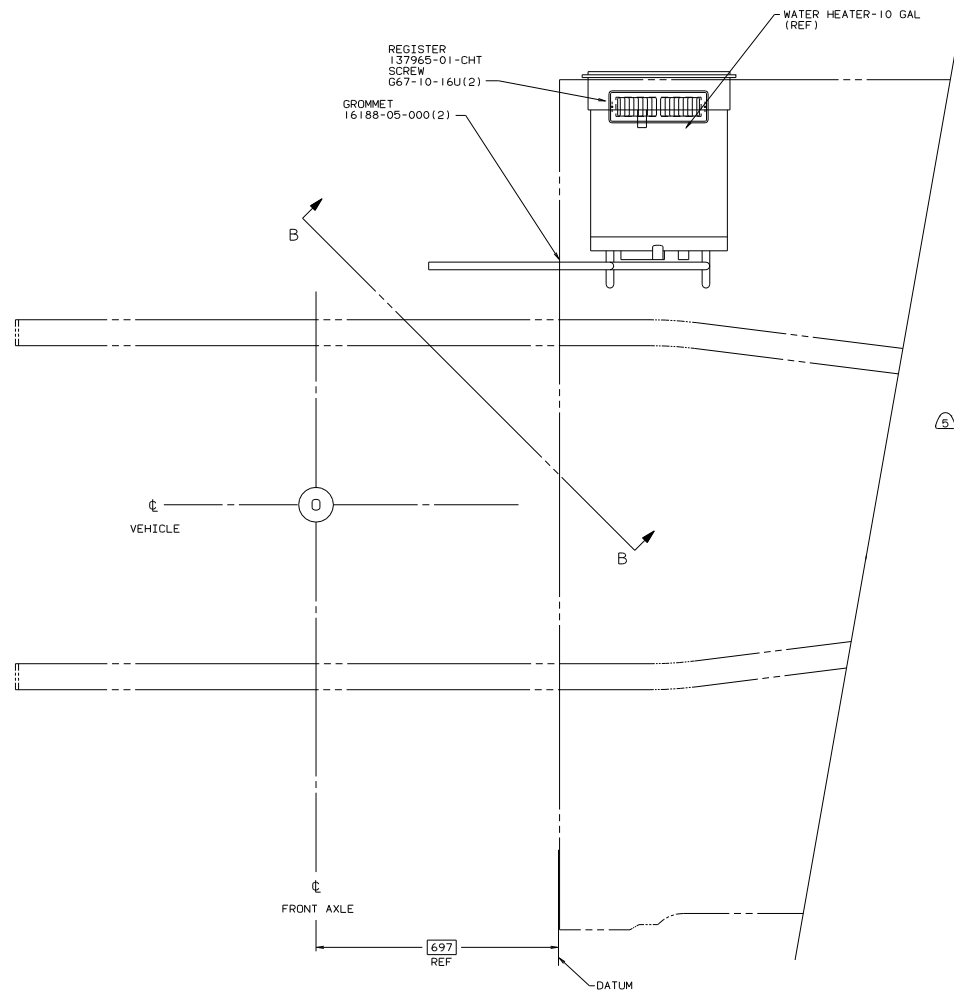
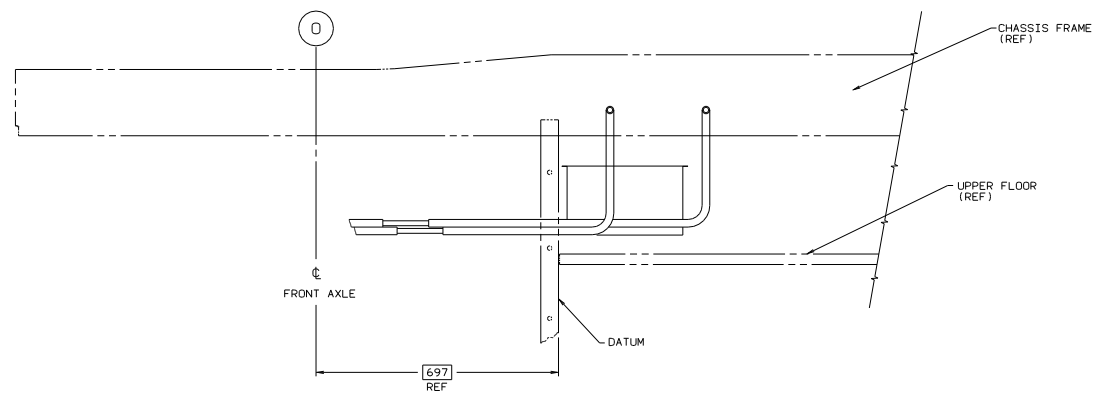
- ±TORQUE TO 20.0 3 IN-LB.
- WHERE THE MOTORAID TUBE COMES IN CONTACT WITH ANY CHASSIS COMPONENT OTHER THAN THE RAILS, IT SHALL BE PROTECTED BY CONVULGATED CONDUIT 41953-02-000.
 - SEE HEATER AND A/C INSTALLATION FOR HOOK-UP OF MOTOR AID HOSES AND ANTI-FREEZE/COOLANT.
 - SLIP JOINTS TO HAVE AN OVERLAP OF 25 MINIMUM.
 - EXTERIOR OPENINGS AROUND PIPE TO BE SEALED WITH 69640-02-000.

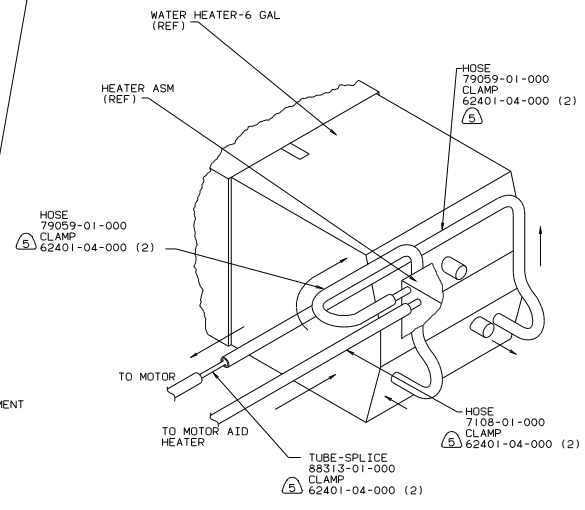
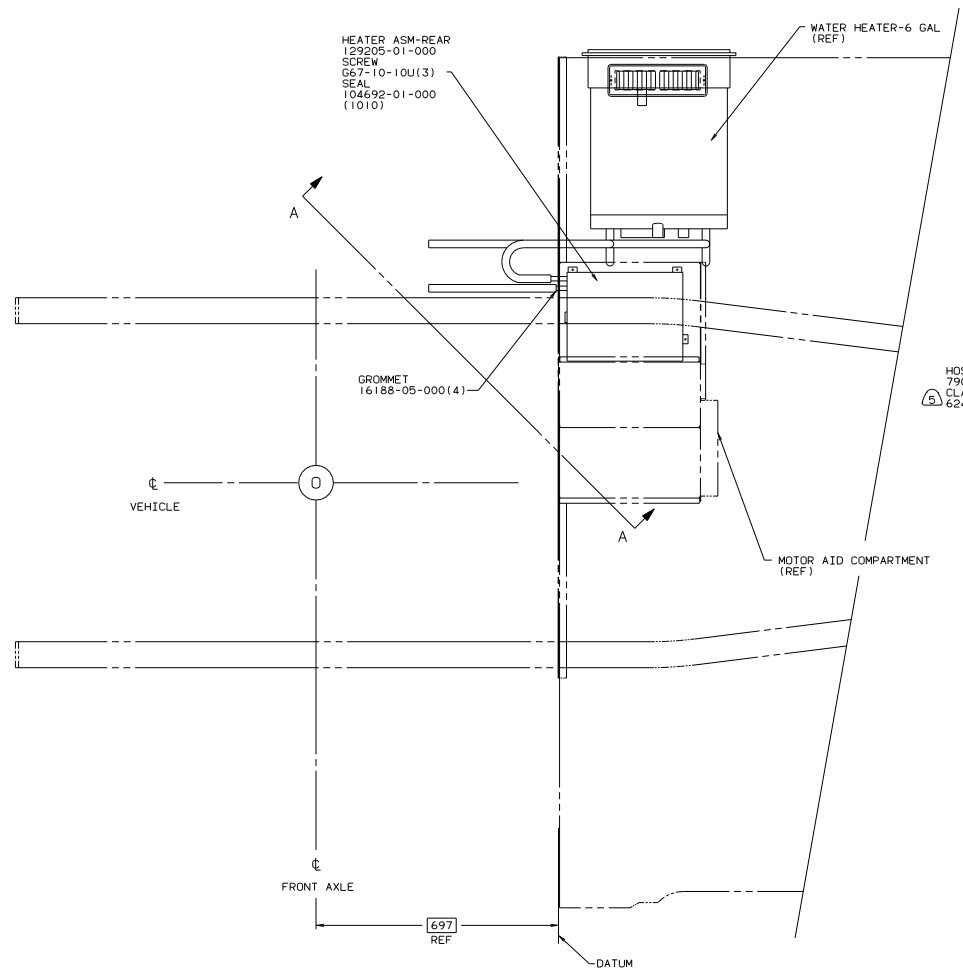
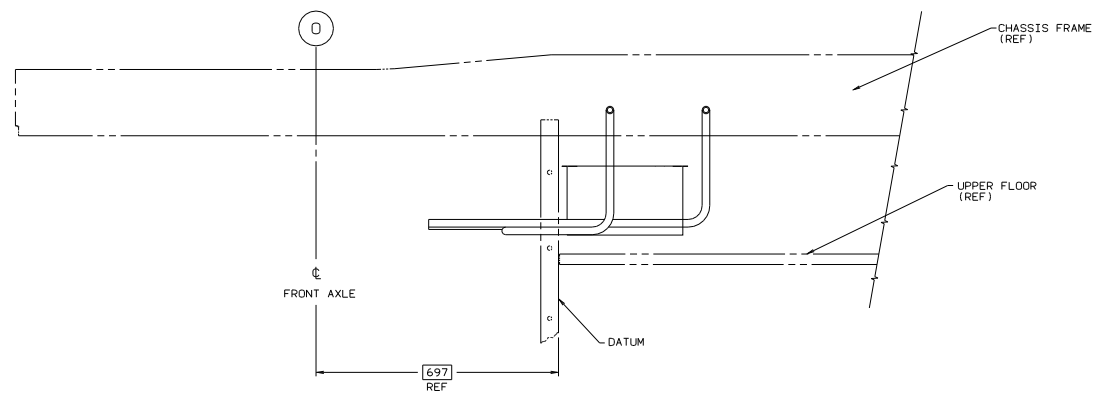
DATE	BY	CHK	DESCRIPTION
1/19/99	WJL	WJL	UNSPECIFIED TOLERANCES ARE:
1/22/99	WJL	WJL	WHOLE DIM (IN) .13
1/22/99	WJL	WJL	HOLE-PLACE (IN) .13
1/22/99	WJL	WJL	HOLE-PLACE (IN) .13
1/22/99	WJL	WJL	HOLE
1/22/99	WJL	WJL	THRU HOLE PROJECTION

PART NO: 00A635U TITLE: MOTOR AID INSTL
 DIA # SCALE: NONE 30 NET SCALE DRAWING: 1:1
 ALL DIMENSIONS ARE IN MILLIMETERS SHEET 1 OF 4 TDR Dwg NO: 132720



VIEW A-A





VIEW A-A